



## Floor Scrubber & Polisher with Vac

**Model FP1000**



### **Care and Use Instructions**

Earlex Inc  
8261 Highway 73, Suite F,  
Stanley, N.C. 28164, USA

**Toll Free:** 888-783-2612 **Email:** [enquiries@ewbankusa.com](mailto:enquiries@ewbankusa.com) **Website:** [www.ewbankusa.com](http://www.ewbankusa.com)

**DO NOT VACUUM LIQUIDS WITH THIS PRODUCT**



Thank you for purchasing your Ewbank® Floor Scrubber  
& Polisher with Vac,  
we hope you enjoy using it.

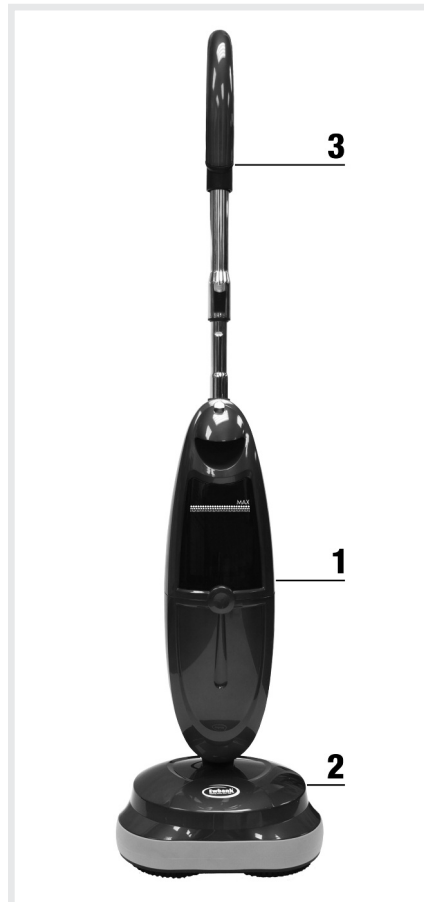
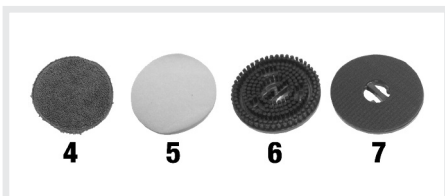
Please read the manual carefully to get the most  
out of your product.

**Pack Contents:**

- |  |        |
|--|--------|
| 1 - Main Body  |        |
| 2 - Scrubbing, Polishing, Waxing and<br>Vacuuming Head |        |
| 3 - Handle Assembly                                    |        |
| 4 - Buffing Pads (blue)                                | EB0129 |
| 5 - Scouring Pads (white)                              | EB0130 |
| 6 - Scrubbing Brush Plates                             | EB0131 |
| 7 - Velcro-Backed Plates                               | EB0132 |
| 8 - Care and Use Instructions                          | EB0491 |
| 9 - Gloss Floor Polish Sample<br>(Not Shown)           | FP555  |

**Read the Care and Use Instructions before  
using the Ewbank® Floor Scrubber &  
Polisher with Vac and make sure that...**

- The power cord is in perfect condition.
- All packaging materials are removed from the machine.



## Safety Instructions - CAUTION

- DO NOT move the unit by pulling on the power cord.
- DO NOT allow the unit to be used by children.
- DO NOT modify the unit in any way - this is dangerous and will also invalidate the warranty.
- DO NOT handle the unit with wet hands.

### WARNING!



- This product is not a toy.
- Always unplug the Ewbank® Floor Scrubber & Polisher with Vac when not in use.
- To avoid electric shock, do not expose to rain or use outdoors.
- Store the unit indoors.
- NEVER pick up flammable or combustible liquids such as petrol or other volatile substances.
- NEVER use in the presence of explosive liquids, vapors or explosive dust such as coal or grain.
- If motor sound becomes higher pitched always check for the following:
  - Blocked hose or accessory
  - Blocked/clogged filter
  - Full container
- Always check that the filter is clear and not blocked. Keep all openings clear of any blockages.
- When lifting the unit, always hold it by the hand grip.
- Only use the product as detailed in these instructions.
- Only use the manufacturer's recommended attachments and consumables.

### **Safety Instructions - CAUTION**

- Ensure unit operation switch is off before plugging unit into a power socket-outlet.
- If the power cord is damaged, it must be replaced by Ewbank® or its appointed agents to avoid a hazard.
- It is recommended that an ALCI device is fitted into the mains supply socket-outlet for added protection against electric shock.

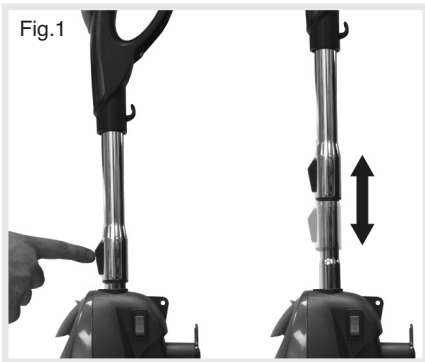
### Assembling the Appliance

- Insert the handle into the aperture at the top of the body until the metal securing knob is located (Fig.3).
- Polisher base can be removed from the appliance, press release clip (A) and pull straight out (Fig.2).

### Changing the pads and plates on your product

- Make sure machine is not plugged in before fitting pads.
- Note the orientation of the drive hubs (Fig.4).
- Place the required velcro-plate or brush plate over the hub and rotate until the shape lines up.
- Press the plate down to clip into place (Fig.6).
- Always use two plates of the same type, i.e. not 1 brush and 1 pad (Fig.7).
- Simply pull the plates off to remove and change.

Adjust the handle to suit your height (Fig.1).



### Using your floor scrubber & polisher with Vac on various floor types

#### DO NOT USE ON CARPET

Take care not to slip over when polishing floors, they can become very slippery in the process. Only use dedicated floor products; other inappropriate polishes and waxes may leave the floor dangerously slippery.

In addition to your floor polisher you may need a mop and bucket to clean and polish your hard floor.

#### Cleaning hard floors with heavy soiling

- Use the brush heads with the vacuum function (switch to position II), to pick up the dry dust and loosen dried on dirt.
- Take care not to scratch the floor if hard dirt gets stuck to the brush heads.

#### Spreading floor treatments

- Always read and follow manufacturer's instructions for floor treatment products.
- Apply the treatment directly to the floor unless instructions indicate otherwise.

The recommended polish is Ewbank Gloss Floor Polish (FP555) of which a sample is supplied and available from Ewbank stockists.

#### Polishing wax on hard floors

- Once the wax polish has dried on the floor use the blue buffing pads to polish.
- Switch to position I, keep the polishing head moving, don't stop in one place for a long time or it will spoil the finish.
- Move at a speed of about 1 minute every 1m<sup>2</sup> and follow the diagram for an even finish (Fig.8).
- A glossy finish is not always possible; this depends on the wax or polish used and the type of floor. Sometimes several coats of polish will help to get a glossy finish.

### Removing old polish

- Read and follow carefully the instructions for your chosen floor polish remover.
- Use the white pads to scrub old polish from the floor.

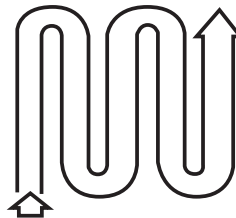


Switch to position II



Switch to position I

Fig.8



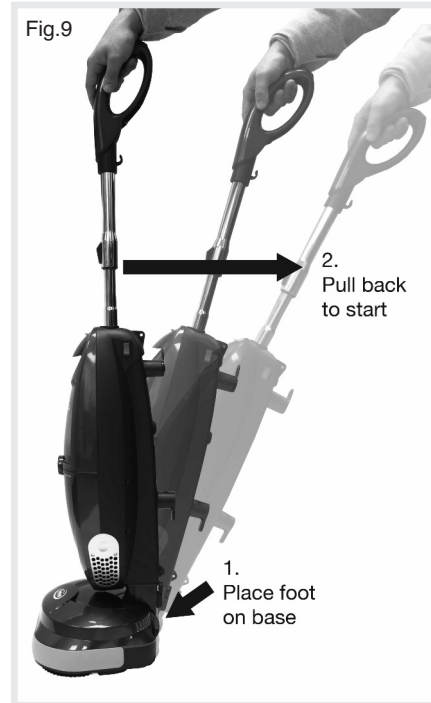
(approx. 1 minute per square metre)

### Scrubbing /Cleaning the floor

- Ensure that the scrubbing brushes are attached to the product (see page 5).
- To turn the machine on, select setting II (scrubbing and vacuuming).
- With your foot securing the head on the floor, pull the handle towards you and the machine will start (Fig.9).
- Move the machine slowly across the surface of the floor to loosen and collect any debris.
- Collect large debris towards the centre of the base unit to prevent it from being spread across the floor.
- If during this process the dust container becomes full of debris, please empty as described below.
- Once this is complete, turn the machine off before returning it to its upright position.

### Emptying the dust container

- To remove the dust container, depress the button at the top of the unit and gently pull it towards you and then upwards (Fig.10).
- Hold with opening lid upwards.
- Slide lock across to open lid (Fig.11).
- Remove blue part (Fig.11-3).
- Empty debris into a trash can.



### Polishing the floor

- Clean floor thoroughly first before adding your chosen floor wax polish.
- Allow to dry before buffing using blue polishing pads.
- Switch to setting 1, the polishing function WITHOUT the vacuuming function.
- With your foot securing the head of the polisher on the floor, pull the handle towards you and the machine will start.
- If you are using a floor polish or oil, refer to the manufacturer's instructions when using with the Ewbank® Scrubber & Polisher with Vac.
- Move at a speed of about 1 minute every 1m<sup>2</sup> across the surface of the floor in the pattern illustrated in (Fig.8).
- DO NOT leave the machine operating in one area for a prolonged period of time as this may damage your floor.

### Power Cord Storage

- The electrical power cable can be stored on the rear of the product using the convenient power cable hooks.

### Dismantling the Ewbank® Floor Scrubber & Polisher with Vac

- Depress the release clip on the rear of the bottom section of the machine (1) and lift the main body of the machine to remove it (see page 5, Fig.2).
- Remove the dust container from the front of the machine (see page 7, Fig.10).
- Depress the steel button, then pull the handle section to remove it (see page 7, Fig.11).

### Cleaning and Maintenance

#### Cleaning the filters

- With the dust container removed, you will have easy access to the filter and the filter holder. The cyclone cone can also be removed once the hinged bottom flap is open, and the dust container empty.
- All these components are washable under the tap – please take care as they are fragile.
- Once clean, the components may be left to dry naturally. Please ensure that these parts are completely dry before reassembling the machine.



### Cleaning the floor pads

- All pads and floor attachments are washable.
- The brushes, polishing pads and scouring pads can be washed under the tap with warm soapy water.
- The vacuum and polishing units are not suitable for washing in water, they must be wiped with a damp cloth.

### Technical Data

Power	1000W
Voltage	120V~
Current	8.5A
Frequency	60Hz
Rpm	2100
Vacuum	18 kPa

### Troubleshooting

- **Loss of vacuum suction?**
  - Check dust container is emptied.
  - Check dust filter is clean.

- **Smeary marks are made on floor when polishing**

- Has the polish/wax been allowed to dry?
- Does old polish/wax need to be removed?

- **No gloss sheen is being produced**

- Floor wax level may need to be increased, try another coat. Allow to dry and re-polish.
- However, some types of floor do not produce gloss finish.

- **Scratches are made on the floor**

- Check for grit or dirt stuck to the pads or wheels.
- Clean/replace pads or clean wheels.

- **Floor is too slippery**

- Check the polish/wax is designed to be used on floors. Floor wax should produce a glossy but grippy finish.

**Notes**

## Mains Connection

This unit is a Class II appliance which means it is double-insulated for your protection, no earthing wire is necessary.



If the power cord is damaged, it must be replaced by Ewbank® Products or our appointed agents to avoid a hazard.

If the fitted plug is cut off from the supply cord then the plug must be disposed of safely.

If you are using an extension cord it must be rated at a minimum of 10 Amps and fully unwound. Do not operate with a lead rated less than 10 Amps as this will cause premature failure of the motor which is not covered by the warranty.

## Information on the disposal of waste electrical & electronic equipment known as WEEE

Please do not dispose of tools with your domestic waste. It is your responsibility to dispose of this type of waste by handing it over to a special designated collection point for recovery and recycling.





## Your Warranty

This product is guaranteed for a period of 12 months against faulty materials and workmanship. While every possible care is taken by Ewbank® Products to ensure that our products leave the factory in good working order, Ewbank® Products cannot under any circumstances accept liability for problems or damage caused by their subsequent use. It is the responsibility of the user to ensure the surfaces to be treated or cleaned are suitable for vacuuming. This warranty does not affect your statutory rights. This warranty excludes the use for rental. In the event of a fault occurring please contact our helpline before returning the unit to our Service Department at the address below together with a copy of your purchase receipt. All repairs will be dealt with speedily. Some States do not allow limitations on how long an implied warranty lasts and some States do not allow the exclusion or limitation of incidental or consequential damages, so part or all of the above limitations or exclusions may not apply to you. This warranty gives you specific legal rights, and you may also have other rights which vary from State to State.

Toll Free: 888-783-2612 Email: [enquiries@ewbankusa.com](mailto:enquiries@ewbankusa.com)

**[www.ewbankusa.com](http://www.ewbankusa.com)**

Made in China

EB0491 10/13